

DOCKET NO. **SA- 516**

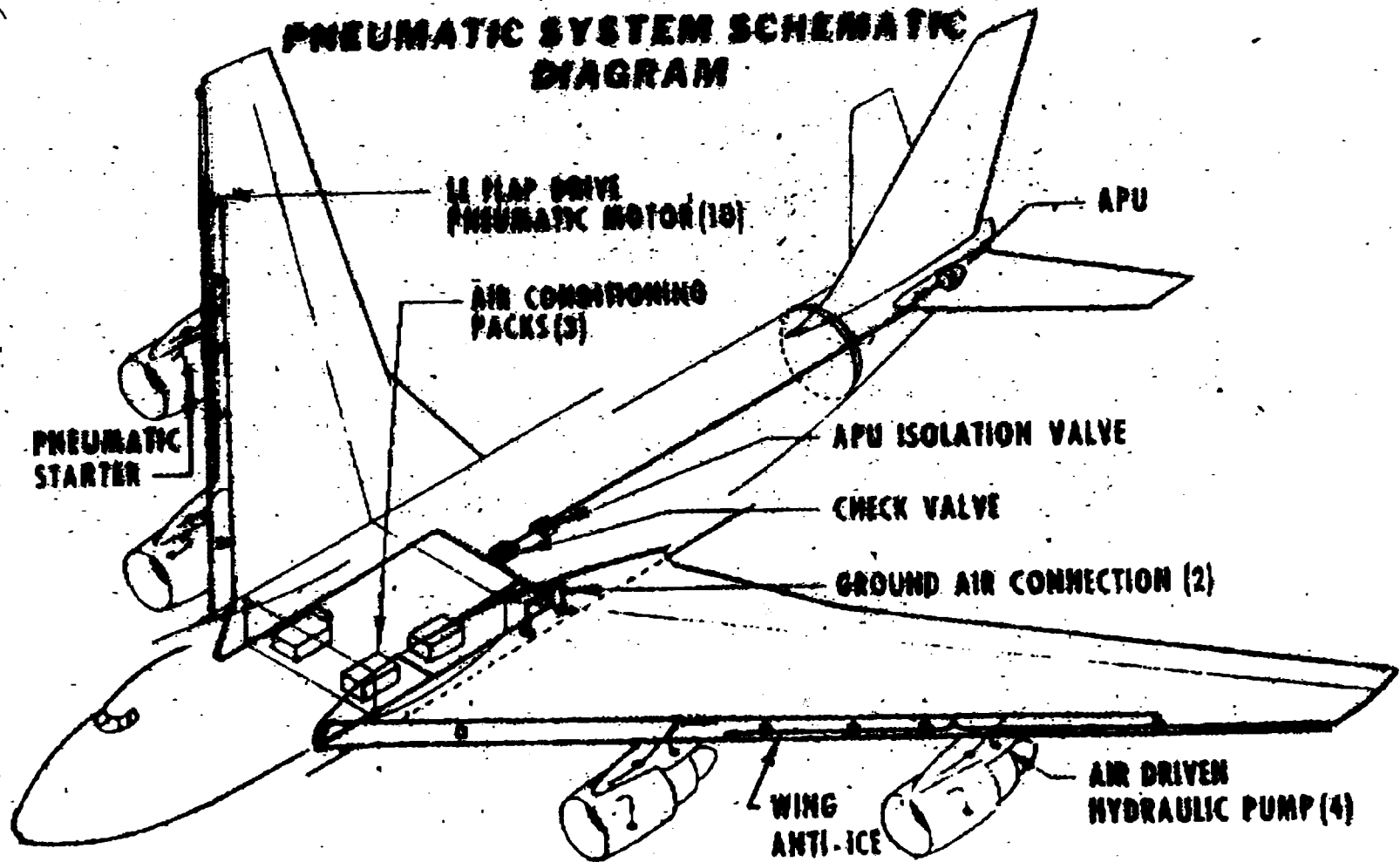
EXHIBIT NO. **23D**

**NATIONAL TRANSPORTATION SAFETY BOARD
WASHINGTON, D.C.**

COMPONENT DRAWINGS

(4 Pages)

PNEUMATIC SYSTEM SCHEMATIC DIAGRAM



101

747

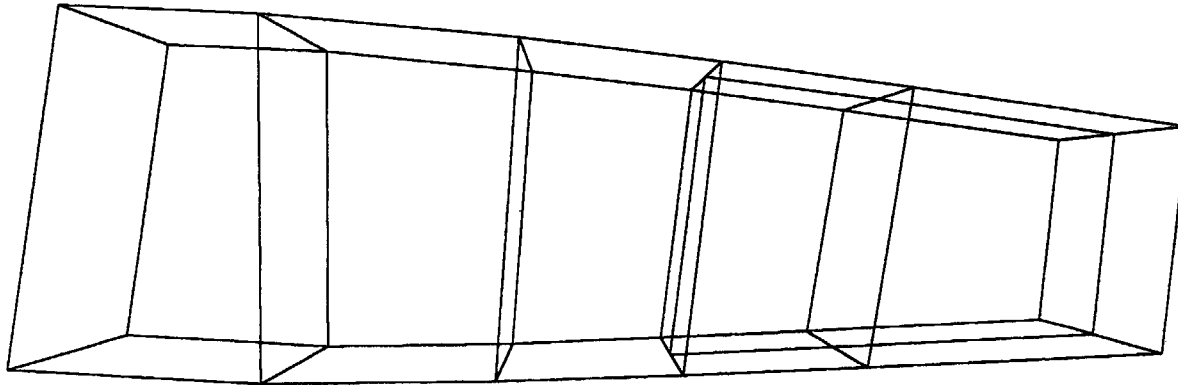
747-100 Center Wing Tank Schematic

Side View

Forward is to the Left

Color Key

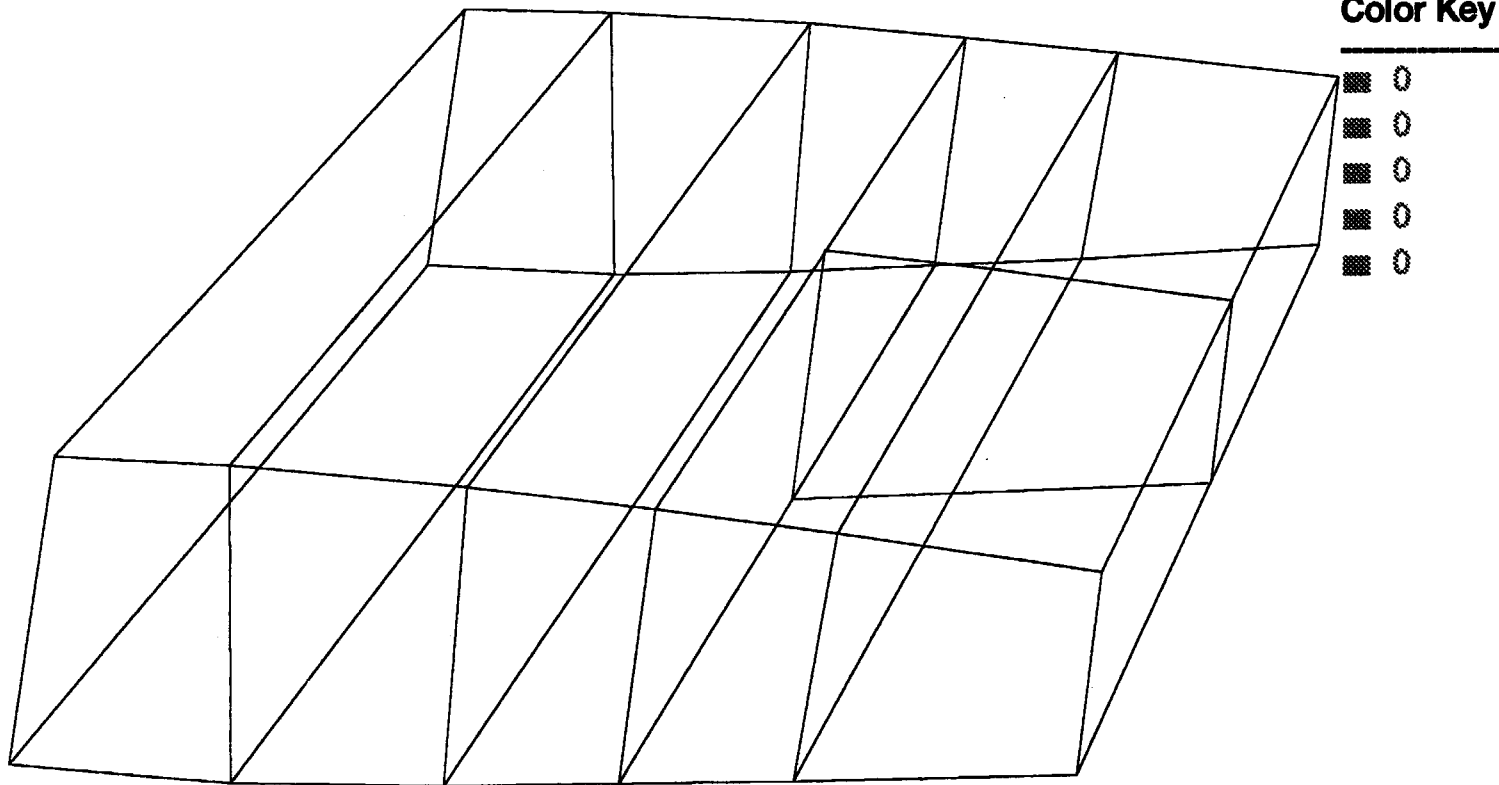
- 0
- 0
- 0
- 0
- 0

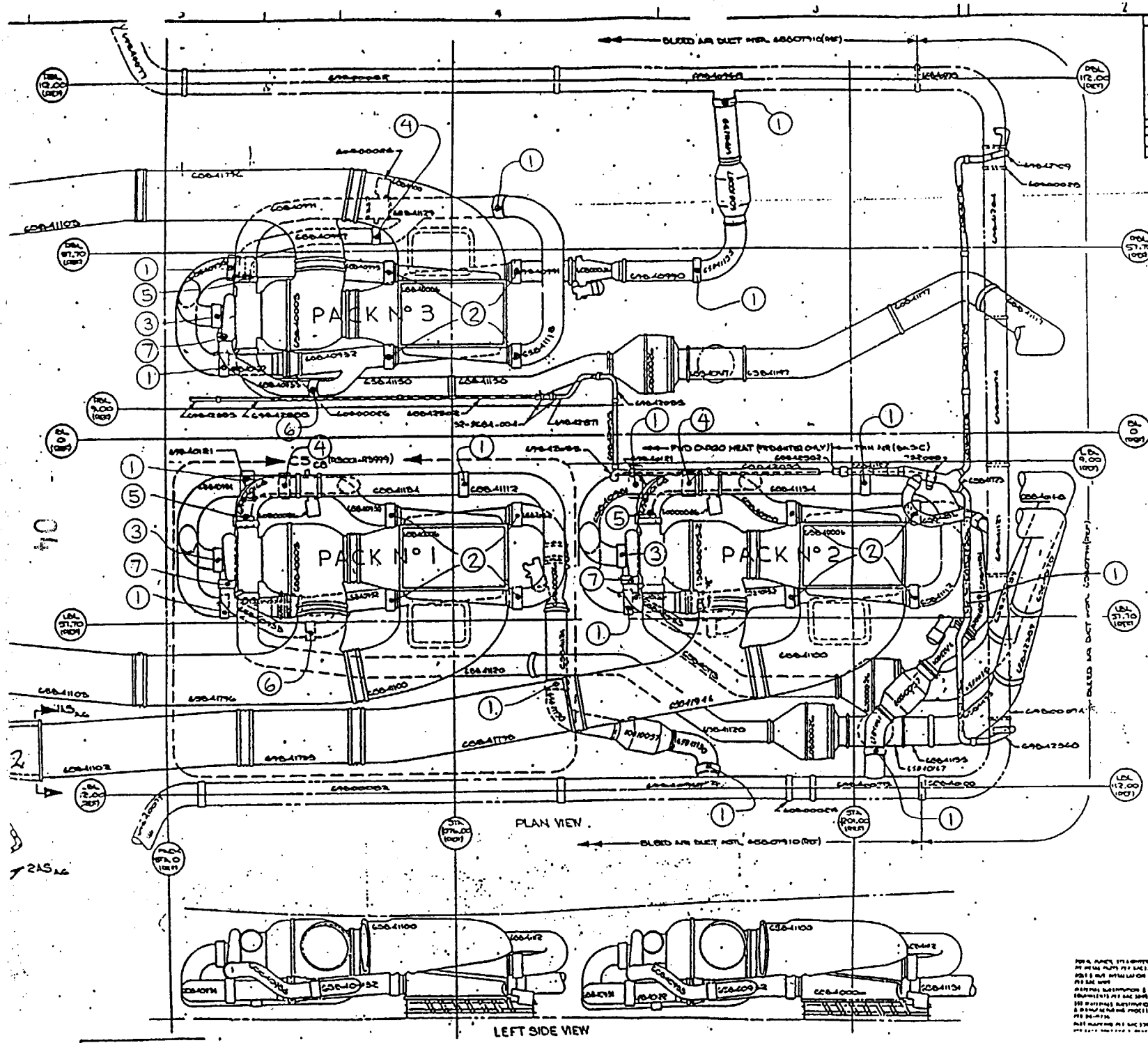


747-100 Center Wing Tank Schematic

Side View

Forward is to the Left





- ① 520-1-650, 2 REQD
- ② 520-1-650, 520-3-650
- ③ 520-1-600, 520-3-600
- ④ 520-1-500, 2 REQ'D
- ⑤ 520-1-500, 520-3-500
- ⑥ 520-1-450, 2 REQD
- ⑦ 520-1-450, 520-3-450

NOTES:

A: DO NOT APPLY LUBRICANT TO INSTALL THE ABOVE SEALS.

B: REF DRAWINGS

- PACK No 1
65B40004-1
- PACK No 2
65B40004-2
- PACK No 3
65B40012-1

C: CAUTION: SEE MAINTENANCE MANUAL (36-11-01) FOR IMPORTANT INSTRUCTIONS.

THIS DRAWING IS THE PROPERTY OF THE AIR FORCE AND IS LOANED TO YOU BY THE AIR FORCE. IT IS TO BE USED FOR THE PURPOSES SPECIFIED IN THE ORDER AND IS NOT TO BE REPRODUCED OR TRANSMITTED IN ANY FORM OR BY ANY MEANS, ELECTRONIC OR MECHANICAL, INCLUDING PHOTOCOPYING, RECORDING, OR BY ANY INFORMATION STORAGE AND RETRIEVAL SYSTEM. THIS DRAWING IS THE PROPERTY OF THE AIR FORCE AND IS LOANED TO YOU BY THE AIR FORCE. IT IS TO BE USED FOR THE PURPOSES SPECIFIED IN THE ORDER AND IS NOT TO BE REPRODUCED OR TRANSMITTED IN ANY FORM OR BY ANY MEANS, ELECTRONIC OR MECHANICAL, INCLUDING PHOTOCOPYING, RECORDING, OR BY ANY INFORMATION STORAGE AND RETRIEVAL SYSTEM.

ATTACHMENT - 4.2